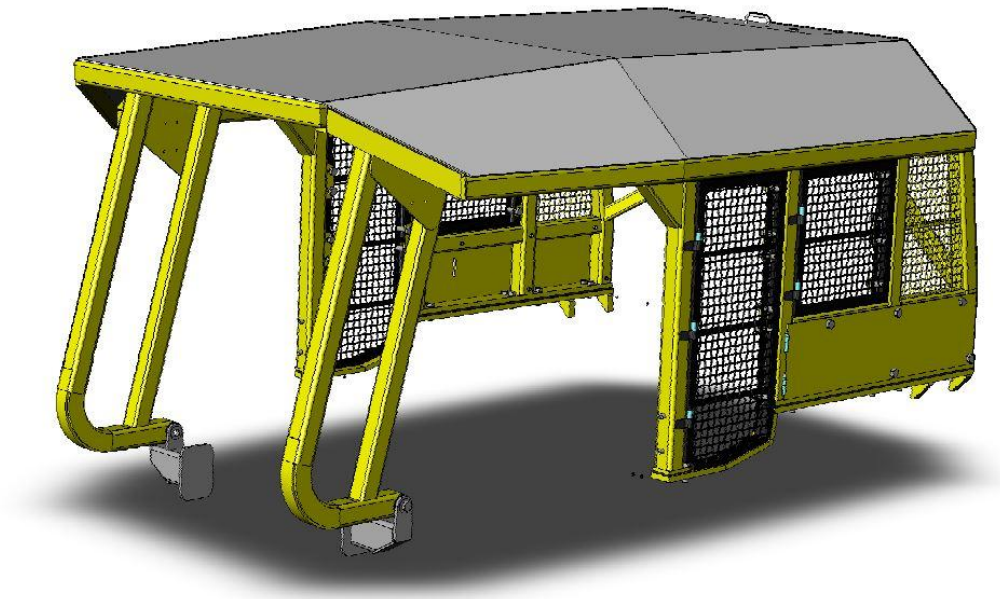




Technical Guide: **Full Scrub Canopy**



**Manufactured to suit:**  
CAT D6T

## D6T Full Scrub Canopy

### Product Features:

- ROPS mount
- 8mm plate protection over full length of dozer with sloped sides
- 40 x 40 x 6mm woven mesh and plate protection to sides of cab as standard.
- Nose cone mounts
- 100 x 100 x 9 RHS structure and forward sweeps.
- Rubber inserts to all mounts.
- Extension at rear to protect back of cab.
- Approximate weight: 2,500kg.
- Standard Ameron 977 ISO Free Paint Scheme:
  - Mainframe & Sides – CAT Yellow.
  - Removable Mesh – Satin Black.
  - Rooftop – White.



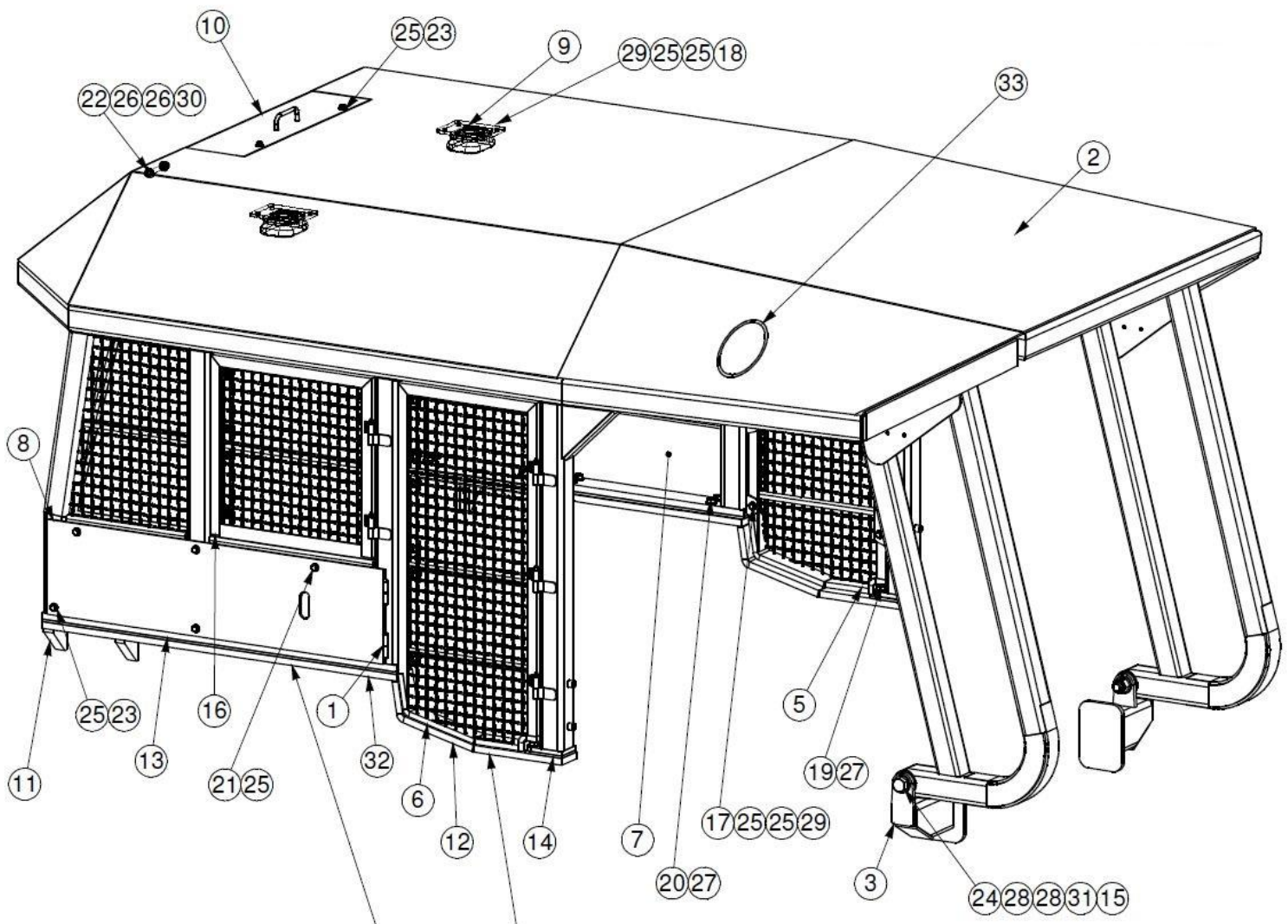
**ROPS Mount**



**Nosecone Mount**



**Exhaust Shroud**



WELD 100 x 25 FLAT ON LEVEL WITH REAR OF GUARD AND 5mm BELOW TOP OF GUARD.

WELD BENT FLAT ON TO MATCH ANGLES ON DOZER WALKWAY.

33	9800-357	EXHAUST TUBES	A	1
32	9800-182	BOTTOM MOUNT FLAT	B	2
31	0012-016	1-1/4" UNC PLASTIC INSERT NUT	E	2
30	0012-011	5/8" UNC PLASTIC INSERT NUT	E	2
29	0012-009	1/2" UNC PLASTIC INSERT NUT	E	50
28	0016-152	1-1/4" HT WASHER	A	4
27	0016-148	3/4" HT WASHER	A	20
26	0016-147	5/8" HT WASHER	A	4
25	0016-145	1/2" HT WASHER	A	112
24	0002-352	BOLT 7-1/2" x 1-1/4" UNC		2
23	0002-137	BOLT 5" x 1/2" UNC		8
22	0002-197	BOLT 5" X 5/8" UNC		2
21	0002-136	BOLT 4-1/2" x 1/2" UNC		4
20	0002-221	BOLT 2-1/2" X 3/4" UNC		16
19	0002-219	BOLT 2" X 3/4" UNC		4
18	0002-129	BOLT 2" X 1/2" UNC		8
17	0002-127	BOLT 1-1/2" X 1/2" UNC		42
16	9800-112	MESH PANEL 1	B.01	1
15	9800-196	TIE ROD BUSH	B.01	4
14	-	100 x 9 RUBBER STRIP x 155	A	2
13	-	100 x 9 RUBBER STRIP x 1480	A	2
12	9800-183	WELD ON FLAT	B	2
11	S9800-164/40	GUSSET	A	4
10	9800-190	TOP COVER	B	1
9	9800-106	RUBBER MOUNT	B	2
8	9800-114	SWING DOOR -RH	B	1
7	9800-114	SWING DOOR -LH	B	1
6	9800-113	MESH PANEL 2 -RH	B	1
5	9800-113	MESH PANEL 2 -LH	B	1
4	9800-112	MESH PANEL 1	B.01	1
3	9800-115	FRONT MOUNT	A	2
2	9800-111	D6R CANOPY WELDMENT	C	1
1	9800-019-2	100mm WELD ON HINGE -WASHER	B	4
ITEM	PART No.	DESCRIPTION	Revision	QTY





### **©COPYRIGHT**

This design or drawing and any specifications or calculations that relate to this design or drawing are the property of and remain vested in Gessner Industries and must not be manufactured from, copied, or transmitted to a third party without prior written approval from Gessner Industries. It is not sold, and is subject to recall along with any copies immediately on demand. Reproduction of the drawing and copying rights are reserved solely to Gessner Industries under Copyright Law. All information disclosed by this drawing to the holder shall be held in commercial confidence.

### **CONTACT GESSNER INDUSTRIES**

PHONE: 011 61 7 4615 0100

FACSIMILE: 011 61 7 4633 1973

WEB: [www.gessner.com.au](http://www.gessner.com.au)

EMAIL: [manager@gessner.com.au](mailto:manager@gessner.com.au)