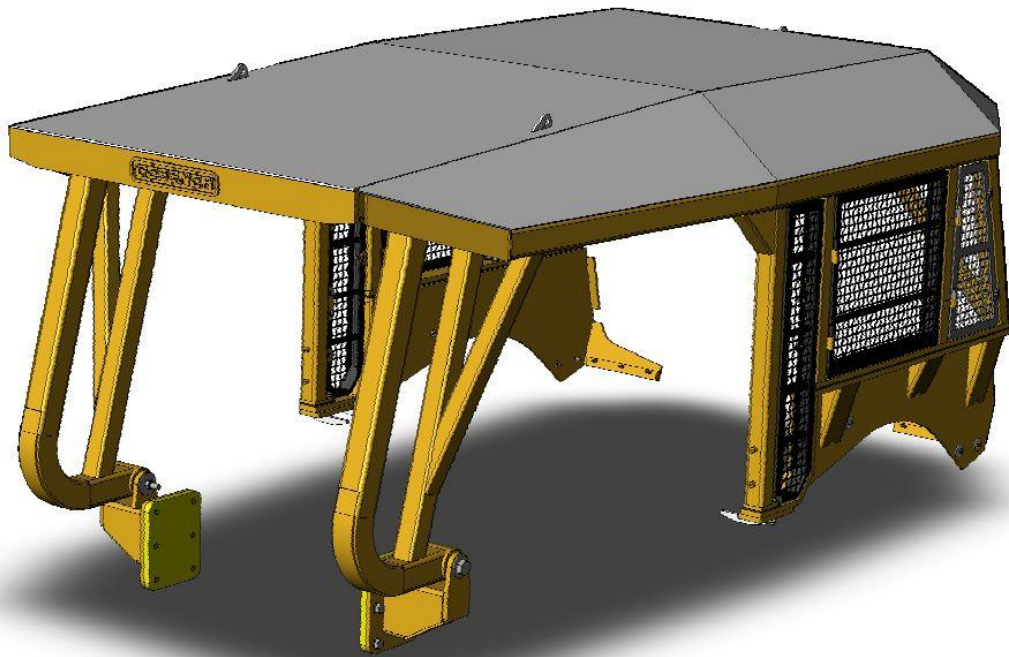




Technical Guide: **Gessner Full Scrub Canopy**



**Manufactured to suit:**  
D8T

## Gessner D8T Full Scrub Canopy

### Product Features:

- ROPS mount
- 8mm plate protection over full length of dozer with sloped sides
- 40 x 40 x 6mm woven mesh and plate protection to sides of cab as standard.
- Nose cone mounts
- 125 x 125 x 9 RHS structure and forward sweeps.
- Rubber inserts to all mounts.
- Extension at rear to protect back of cab.
- Approximate weight: 3,850kg.
- Standard Ameron 977 ISO Free Paint Scheme:
  - Mainframe and Sides: CAT Yellow
  - Removable Mesh: Satin Black
  - Rooftop: White



**Exhaust Shroud**



**Nosecone Mount**

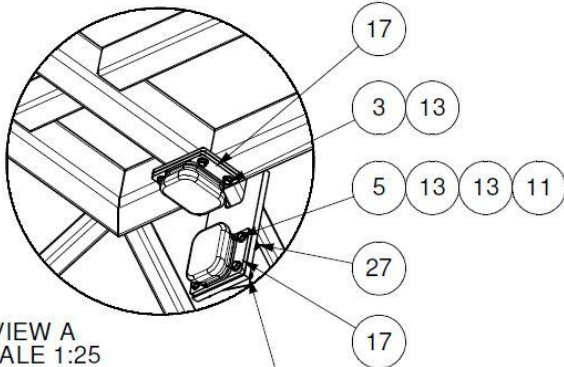
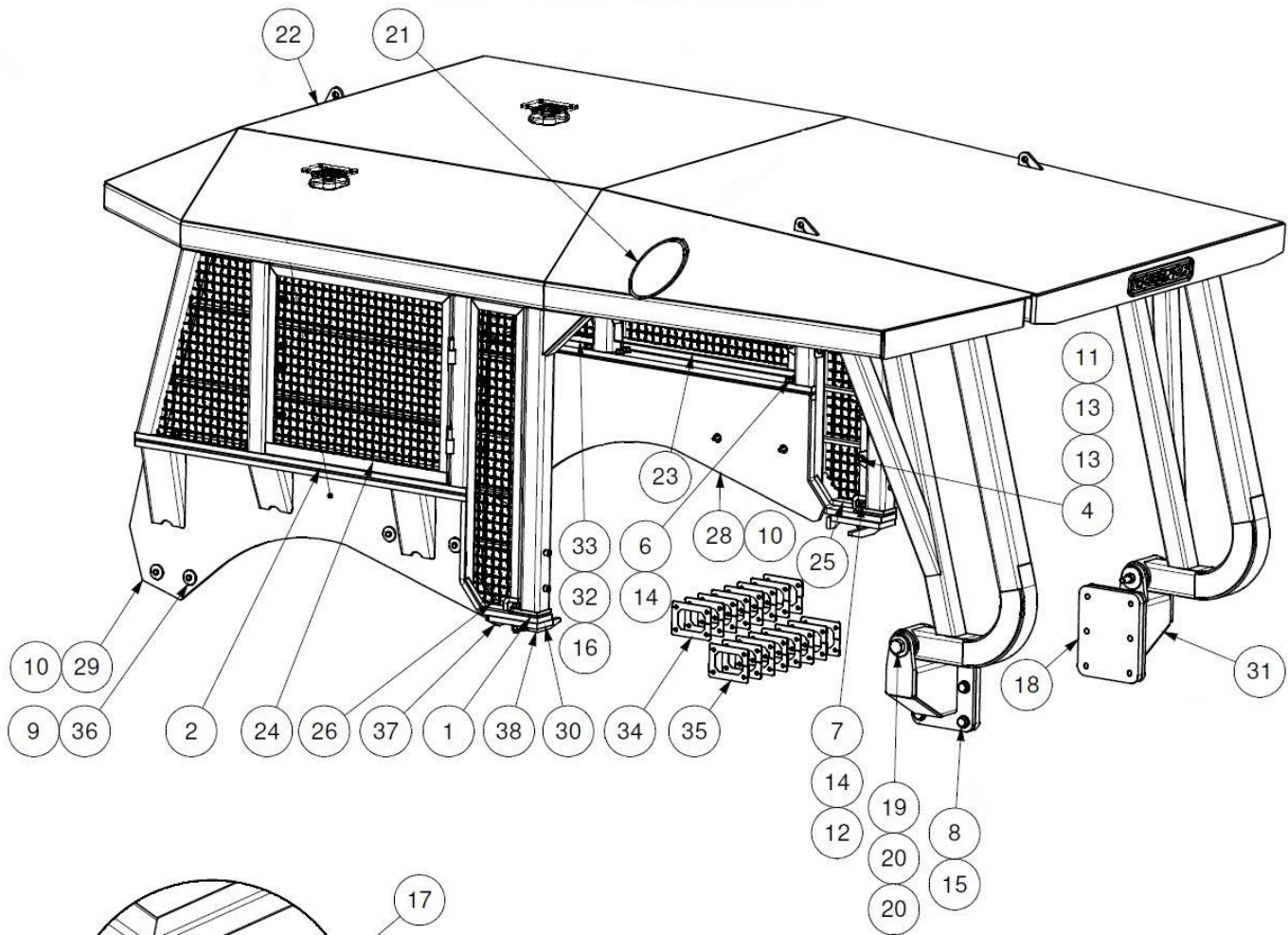


**ROPS Mount**





# GENERAL ASSEMBLY



VIEW A  
SCALE 1:25

TRIM EXTRA MOUNT  
BRACKET AND WELD ON  
SO RUBBER MOUNT  
CONTACTS SIDE OF ROPS

ITEM	PART No.	DESCRIPTION	REV	QTY.
1	-	100 x 9 RUBBER STRIP x 155	A	2
2	-	100 x 9 RUBBER STRIP x 1757	A	2
3	0002-125	BOLT 1" X 1/2" UNC		8
4	0002-127	BOLT 1-1/2" X 1/2" UNC		36
5	0002-130	BOLT 2-1/4" X 1/2" UNC		8
6	0002-221	BOLT 2-1/2" X 3/4" UNC		12
7	0002-226	BOLT 4 1/2" X 3/4" UNC		4
8	0002-280	BOLT 2-1/4" X 1" UNC		12
9	0005-670	BOLT M12 x 50		8
10	0005-674	BOLT M12 x 70		6
11	0012-009	1/2" UNC PLASTIC INSERT NUT	G	44
12	0012-012	3/4" UNC PLASTIC INSERT NUT	G	4
13	0016-145	1/2" HT WASHER	A	96
14	0016-148	3/4" HT WASHER	A	20
15	0016-150	1" HT WASHER	A	12
16	3275-2	FAST A/LUCE B/ON LG - A102 (CATCH)	A	2
17	9800-106	RUBBER MOUNT	B	4
18	9800-419/32	FRONT BOLT PLATE	A.01	2
19	9800-431	EQUALISER PIN KIT (WT1201)	D.02	2
20	9800-432	EQUALISER BUSH (WT1101)	B.01	4
21	9800-515	EXHAUST TUBES	A	1
22	9800-852	D8T CANOPY WELDMENT	K	1
23	9800-853-L	MESH PANEL 1	B	1
24	9800-853-R	MESH PANEL 1	B	1
25	9800-854-L	MESH PANEL 2	B.02	1
26	9800-854-R	MESH PANEL 2	B.02	1
27	9800-855	EXTRA MOUNT BRACKET	B	2
28	9800-856-L	SIDE PANEL	E.01	1
29	9800-856-R	SIDE PANEL	E.01	1
30	9802-189/25	WELD-ON CENTRE SUPPORT PLATE	A	2
31	9802-263	FRONT MOUNT	C	2
32	9802-470	SPACER ANTI-LUCE	A.01	2
33	9802-984	FUEL DOOR	A	1
34	S9801-263/2.5	MOUNT SPACER	A.02	8
35	S9801-263/4	MOUNT SPACER	A.02	8
36	S9801-363/6	HEAVY WASHER (Ø64 x 6mm)	A	14
37	S9802-267/20	GUSSET REAR	A	2
38	S9802-268/20	GUSSET FRONT	A	2







**©COPYRIGHT**

This design or drawing and any specifications or calculations that relate to this design or drawing are the property of and remain vested in Gessner Industries and must not be manufactured from, copied, or transmitted to a third party without prior written approval from Gessner Industries. It is not sold, and is subject to recall along with any copies immediately on demand. Reproduction of the drawing and copying rights are reserved solely to Gessner Industries under Copyright Law. All information disclosed by this drawing to the holder shall be held in commercial confidence.

**CONTACT GESSNER INDUSTRIES**

PHONE: 011 61 7 4615 0100

FACSIMILE: 011 61 7 4633 1973

WEB: [www.gessner.com.au](http://www.gessner.com.au)

EMAIL: [manager@gessner.com.au](mailto:manager@gessner.com.au)