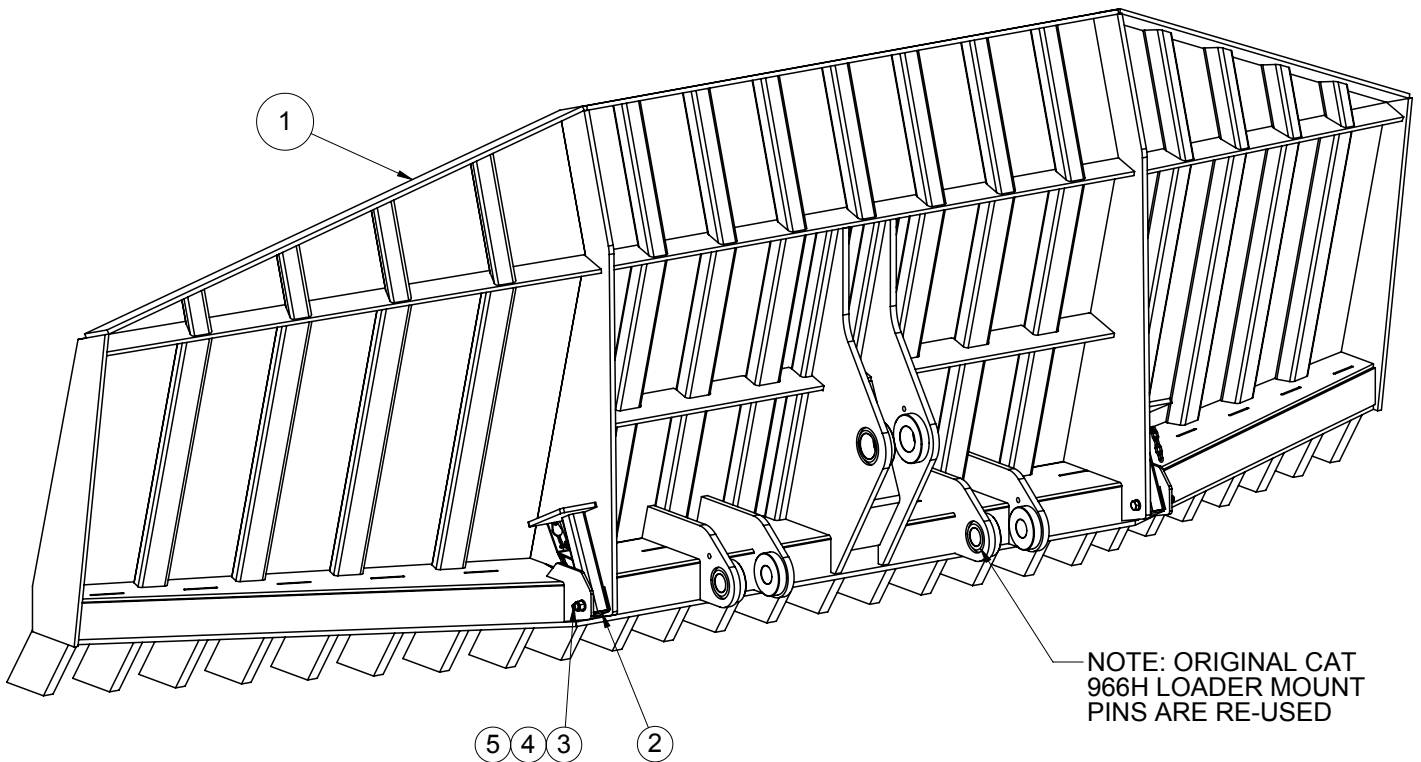


GESSNER

STICKRAKE ASSM

18' 966H LOADER



ITEM	PART No.	DESCRIPTION	QTY
1	9072-051	STICKRAKE WELDMENT	1
2	9072-052	STICKRAKE LEG	2
3	0002-229	BOLT 6" x 3/4" UNC	2
4	0016-148	3/4" HT WASHER	4
5	0012-012	3/4" UNC PLASTIC INSERT NUT	2

STATUS DATE SHEET DWG NO. REV

©COPYRIGHT

*SUBJECT TO TECHNICAL
MODIFICATIONS*

Released

18-09-14

1 OF 1

9072-050

A

This design or drawing and any specifications or calculations that relate to this design or drawing are the property of and remain vested in Gessner Industries and must not be manufactured from, copied, or transmitted to a third party without prior written approval from Gessner Industries. It is not sold, and is subject to recall along with any copies immediately on demand. Reproduction of the drawing and copying rights are reserved solely to Gessner Industries under Copyright Law. All information disclosed by this drawing to the holder shall be held in commercial confidence.