



Technical Guide: **Gessner 18' Drive-in Stick Rake**



Manufactured to suit:

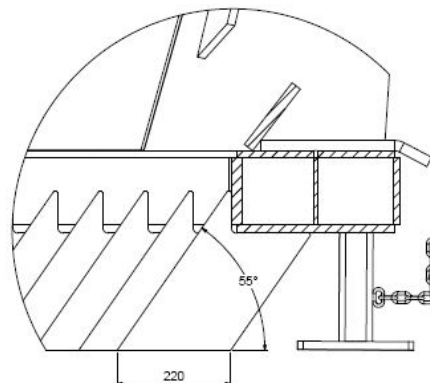
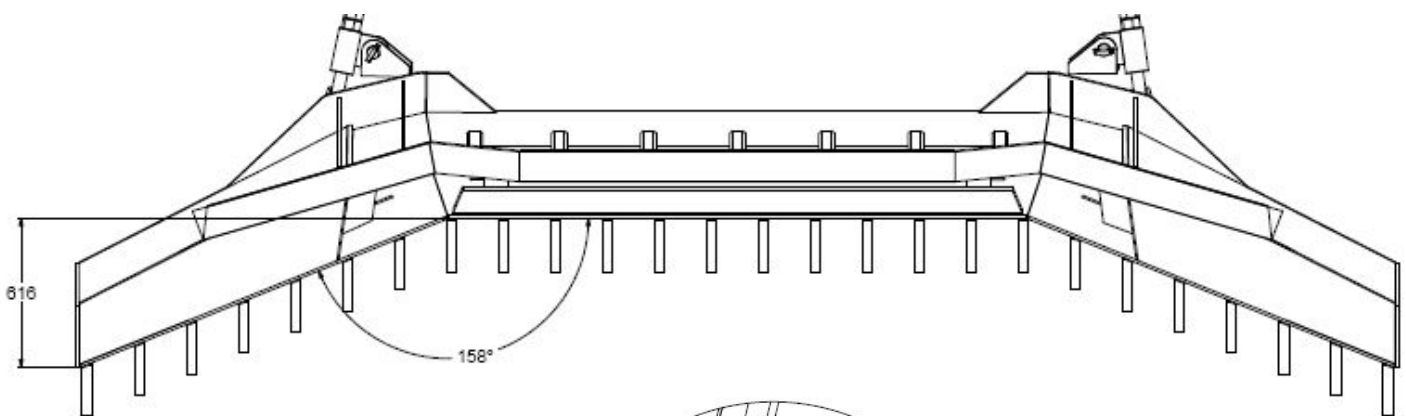
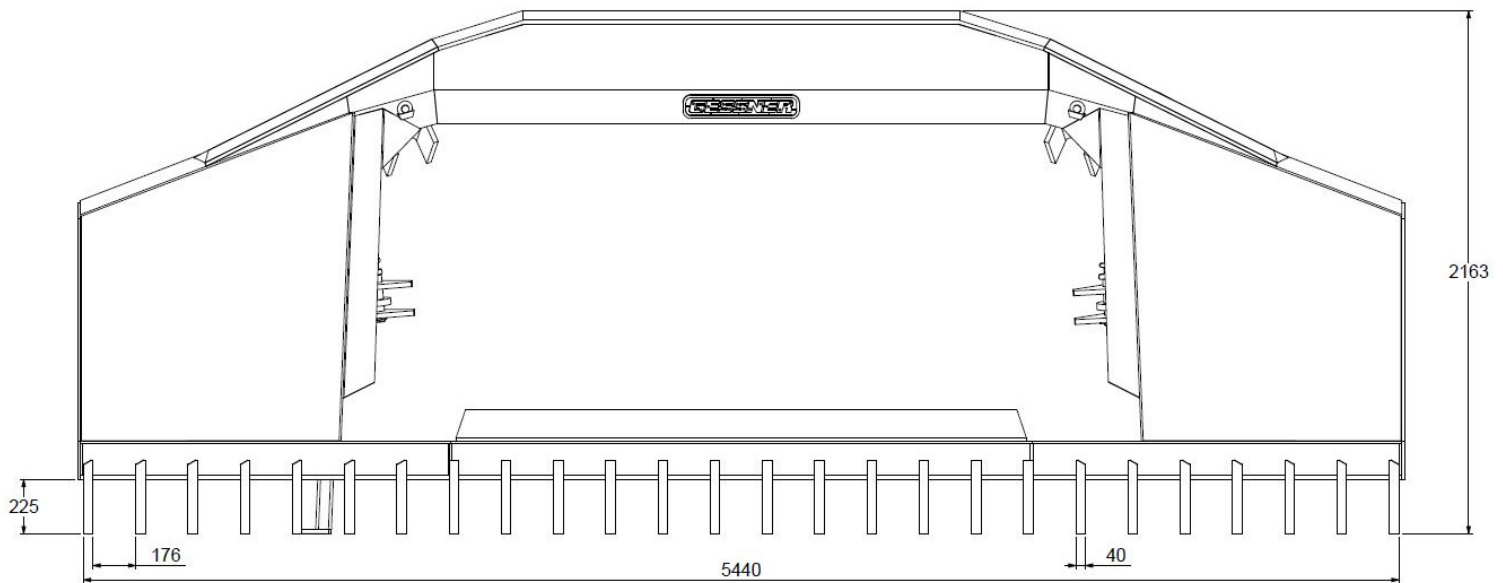
CAT: D6H, D6R, D6T, D6N, D6K.

Komatsu: D65EX-15, D65EX-16

Gessner 18' Drive-in Stick Rake

Stick Rake Features:

- Manufactured to suit Semi-U, Straight or P.A.T Blades.
- 40mm thick HT400 tynes.
- Tyne underbeam clearance of 225mm.
- Tyne spacing of 7" edge to edge (9" edge to edge with sucker/cutter bar).
- Forward angle radiator guard.
- Drive-in mounting configuration with four point connection system.
- Fabricated main beam 326mm x 158mm with internal stiffener.
- Paint: Ameron 977 ISO Free NEW CAT Yellow with hardener.
- Weight: 1945kg



Connection System





©COPYRIGHT

This design or drawing and any specifications or calculations that relate to this design or drawing are the property of and remain vested in Gessner Industries and must not be manufactured from, copied, or transmitted to a third party without prior written approval from Gessner Industries. It is not sold, and is subject to recall along with any copies immediately on demand. Reproduction of the drawing and copying rights are reserved solely to Gessner Industries under Copyright Law. All information disclosed by this drawing to the holder shall be held in commercial confidence.

CONTACT GESSNER INDUSTRIES

PHONE: 011 61 7 4615 0100

FACSIMILE: 011 61 7 4633 1973

WEB: www.gessner.com.au

EMAIL: manager@gessner.com.au