



Technical Guide: **Parallelogram Ripper**



General Assembly: **1143-100**

Manufactured to suit:
Caterpillar D6R, D6T & D6H Crawler Dozer

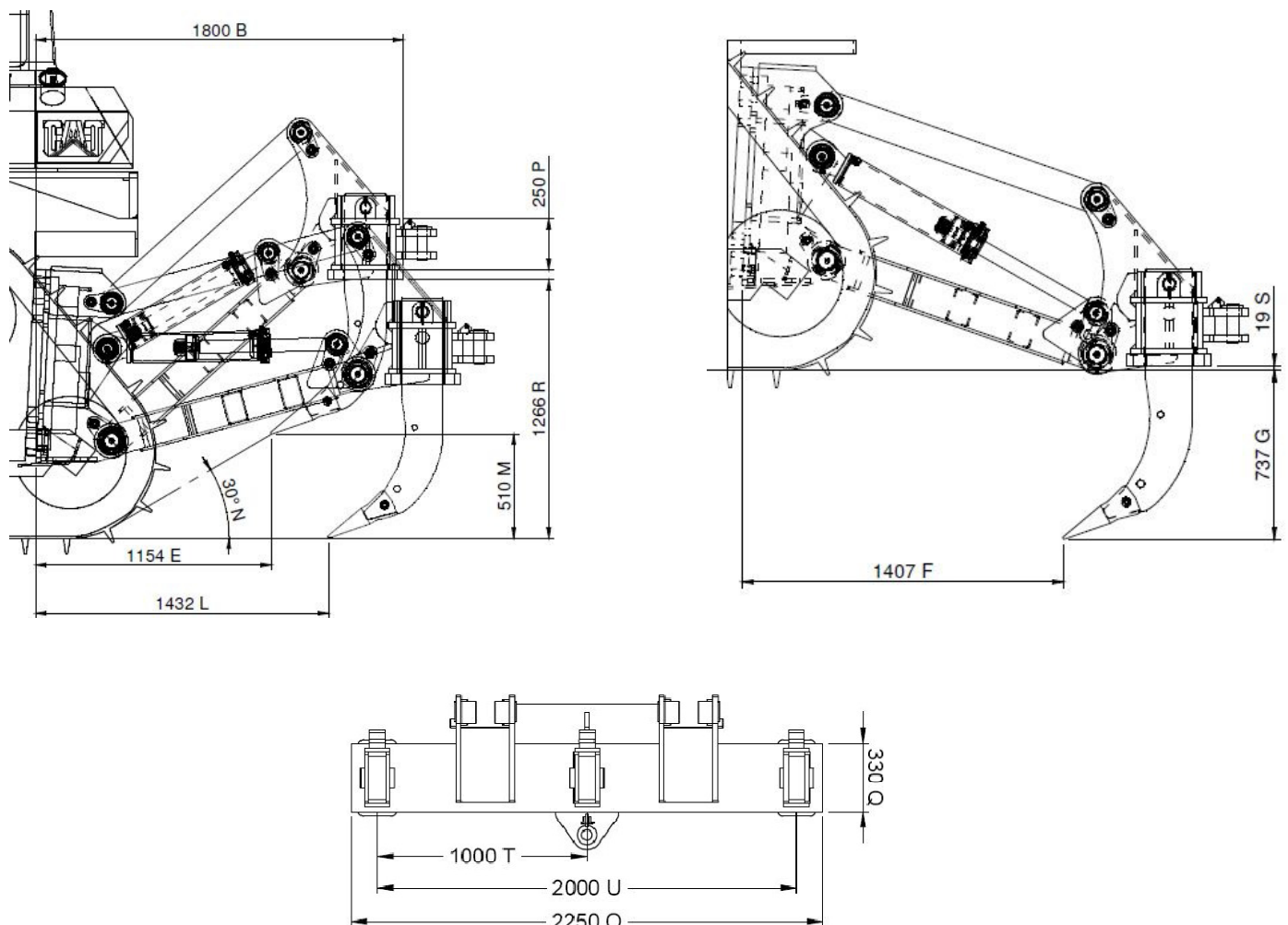
Gessner Lewis Parallelogram Ripper for CATERPILLAR D6R, D6T & D6H Dozers

Product Features:

- Fabricated ripper beam with 3 internal rigid shank sockets.
- Tow point mounted on centre of beam.
- Fabricated bottom arm with internal stiffeners.
- Line-bored mounts which are machined to suit existing dozer mount points.
- 5" lift cylinders with induction hardened chrome shafts and replaceable seals.
- 400 grade high tensile steel tynes which are flame cut, machined and hand-shaped to suit CAT OEM ground engaging tools.
- High tensile pins through functional pivot points with oil-infused bushes.
- Hydraulic lines run to 6 port splitter block.
- Operated with existing dozer control hardware.



Functional Specifications

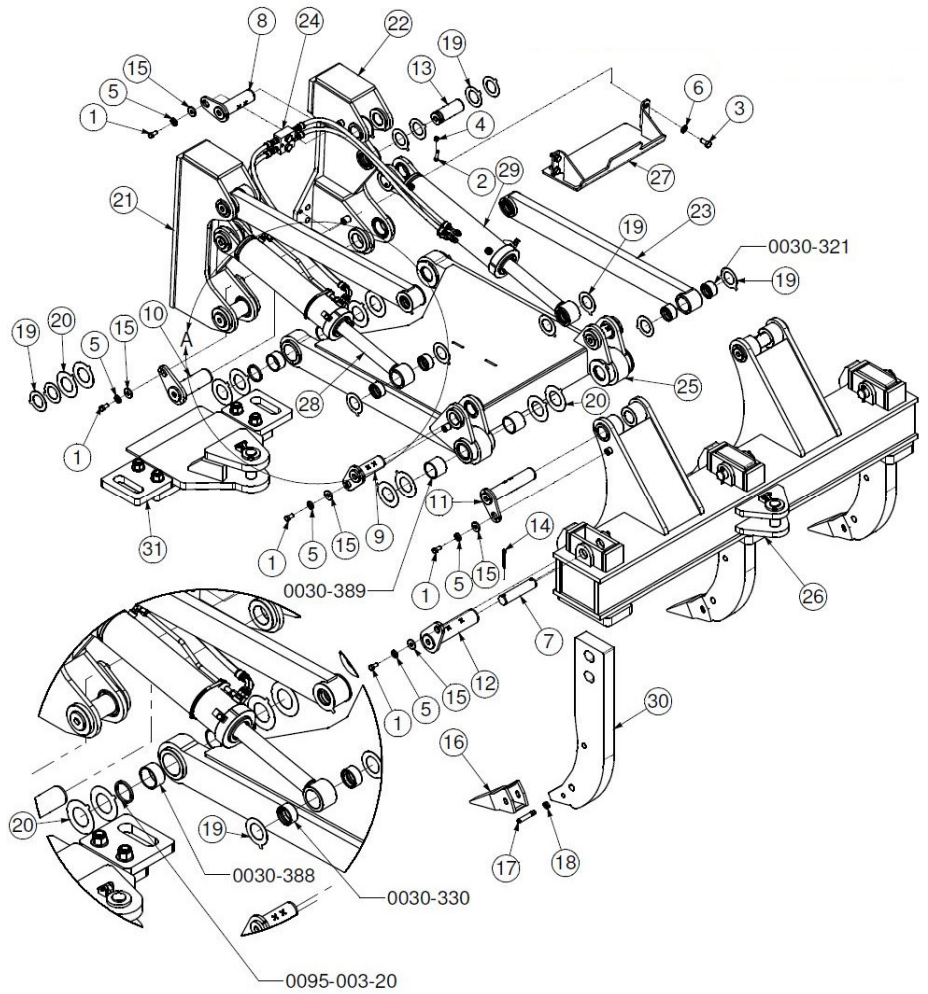


General Assembly: 1143-100

ITEM	PART No.	DESCRIPTION
1	0001-186	BOLT 1-1/4" X 5/8" UNC BLACK
2	0002-129	BOLT 2" X 1/2" UNC
3	0002-217	BOLT 1-1/2" x 3/4" UNC
4	0010-095	NUT HEX 1/2" UNC
5	0015-073	WASHER
6	0016-148	3/4" HT WASHER
7	0020-023	PIN (SHANK)
8	0022-054	PIN Ø63.50 x 206
9	0022-131	PIN Ø63.50 x 164
10	0022-199	PIN Ø76.2 x 208
11	0022-497	PIN Ø63.50 x 300
12	0022-498	PIN Ø76.20 x 300
13	0025-029	PIN - GROOVED
14	0034-585	COTTER PIN 10 x 80
15	0047-009	COLLAR
16	0063-503	POINT (6Y-0352)
17	0063-606	PIN (114-0358)
18	0063-703	RETAINER (1U-2405)
19	0135-002	SHIM 2½"
20	0135-003	SHIM 3"
21	1143-003-L	MOUNT
22	1143-003-R	MOUNT
23	1143-017	TOP ARM
24	1143-107	HYDRAULIC HOSE KIT - D6 2 BARREL
25	1143-019	BOTTOM ARM
26	1143-029	BEAM3 SHANK RIGID
27	1143-045	TRANSMISSION GUARD
28	2417-002-L	CYLINDER Ø127 x 460 STROKE
29	2417-002-R	CYLINDER Ø127 x 460 STROKE
30	S5046J/75	RIPPER SHANK 75mm

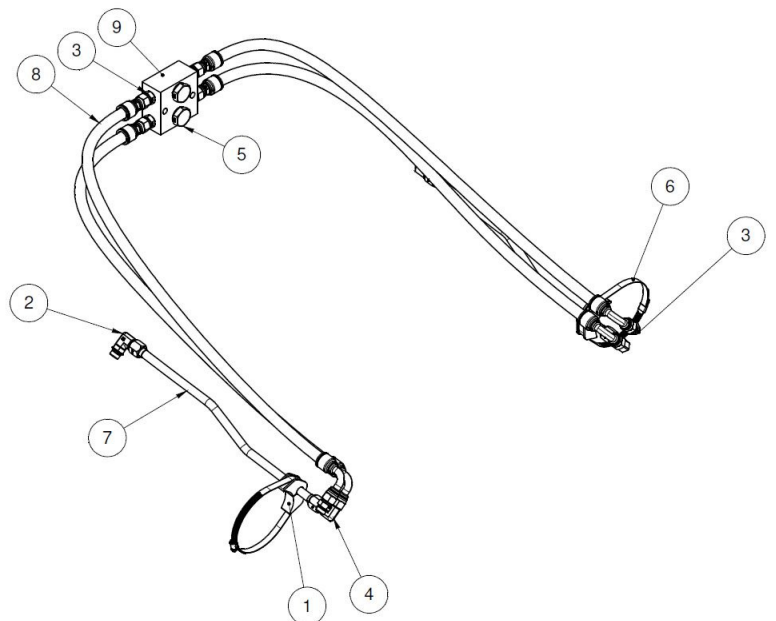
OPTIONAL EXTRAS

ITEM	PART No.	DESCRIPTION
31	0130-058	D6 RIPPER MOUNT DRAWBAR



Hydraulic Hose Kit: 1144-107

ITEM	PART No.	DESCRIPTION
1	0063-259	CAT RUBBER PIPE HOLDER (9R-2053)
2	0087-204	ELBOW 90° - 7/8 JIC M - 3/4 UNO M (RYCO S91-1412)
3	0087-220	NIPPLE - 7/8 JIC M - 3/4 UNO M (RYCO S90-1412)
4	0087-404	ELBOW 90° - 7/8 JIC M-M (RYCO S18-1414)
5	0087-523	PLUG - 3/4" BSPP O-RING MALE PLUG (RYCO S73-12)
6	0100-019	No 8 HOSE CLAMP 155-180mm (SS) (04160700)
7	0139-183	HYDRAULIC TUBE ASSEMBLY - LIFT CYLINDER
8	0139-184	HYDRAULIC HOSE ASSEMBLY - 1010mm
9	9049-097/50	HYD BLOCK







©COPYRIGHT

This design or drawing and any specifications or calculations that relate to this design or drawing are the property of and remain vested in Gessner Industries and must not be manufactured from, copied, or transmitted to a third party without prior written approval from Gessner Industries. It is not sold, and is subject to recall along with any copies immediately on demand. Reproduction of the drawing and copying rights are reserved solely to Gessner Industries under Copyright Law. All information disclosed by this drawing to the holder shall be held in commercial confidence.

CONTACT GESSNER INDUSTRIES

PHONE: 011 61 7 4615 0100

FACSIMILE: 011 61 7 4633 1973

WEB: www.gessner.com.au

EMAIL: manager@gessner.com.au