



# BROADACRE EQUIPMENT

**BUILT TO OUTLAST & OUTPERFORM**



### OUR SAFETY CULTURE

Gessner is committed to a “Total Safety” culture with a zero harm approach that is supported by proven safety systems, a committed management and a pro-active workforce.

Our systems of work are continuously monitored to improve safety performance as we recognise that our employees, assets, reputation and the environment cannot be compromised.

All employees and subcontractors are fully engaged and a culture based on mutual respect ensures that best practice in safe and efficient manufacturing techniques are implemented and adopted.

### OUR PEOPLE

Gessner is an employer of choice - this is supported by a strong record in employee retention. Our Board and Senior Management possess a complementary mix of skills and experience, together with a proven track record of delivering outcomes for clients across Australia and Overseas.

### OUR CLIENTS

Gessner services:

- The agricultural industry with tillage, planting and sugar cane equipment.
- The construction industry with the manufacture of construction equipment attachments including rippers, buckets, blades, canopies and land development equipment.
- The mining industry with special production push blades for dozers and rehabilitation of wear items including buckets and dozer blades.

### OUR PRODUCTS

Whilst the majority of Gessner products are “standard design”, all product configurations are checked (and altered where necessary) to meet client requirements. As part of the Gessner upgrade all current product designs have been reviewed to ensure they are engineered to meet safe operating standards and are competitively priced without compromising quality.

### OUR FACILITY

With over 4,000 sqm of manufacturing and operational facilities and a suite of modern, well-maintained plant and equipment, Gessner has the ability to manufacture all equipment in-house, with machining and fabrication capabilities that can meet the demand of short lead times when required.

### OUR SYSTEMS

Developed over many years with a related software developer, Gessner’s purpose built Operational Information Management System delivers up-to-date reporting on all aspects of the business and is capable of tracking the progress of all work being undertaken and managing client delivery expectations and equipment performance.



Australian-owned Gessner Industries is widely recognised as a market leader with a reputation for producing quality, well-designed, and hard-wearing agricultural, industrial, mining, and construction equipment.

Our equipment is built for people who want to get the job done more effectively and efficiently, so that they can have more time for the important things in their lives.

At Gessner, we build for maximum strength and durability, providing products that will operate in hostile environments, with little maintenance, less downtime, and higher resale.

With over 45 years of proven service to agriculture, construction and mining, our name is synonymous with quality and reliability.

## A LITTLE GESSNER HISTORY

Gessner has been proudly serving Australian agriculture and industry for over 45 years, and our solid reputation for manufacturing quality equipment has also seen increasing demand in many international markets.

Founded by Noel and Lindsay Gessner back in 1975, Gessner Industries started off building silo bases and implement hitches. Today, Gessner has grown to be at the forefront of design and manufacture of equipment solutions, with the main product lines being tillage

Our head office and modern manufacturing base in Toowoomba, Queensland, Australia boasts a full-time specialised engineering and design department that can customise equipment to meet the needs of our clients.

Owned and operated by Michael and Jim O'Connor, Gessner has a highly qualified management team and around 50 staff, plus a growing network of agricultural and industrial dealers throughout Australia where our customers can turn to for equipment and spare parts.

Every product we manufacture is backed by a comprehensive spare parts inventory and dispatch system that ensures fast and efficient turn around to our dealers and customers, and less downtime for you.

equipment and planters for use on-farm, along with a strong component of earthmoving attachments.

In 2013, Gessner Industries was purchased by another set of brothers, Michael and Jim O'Connor, the former owners of MPH Rural, and owners of Fortitude Brewing Company. They have brought a fresh focus to Gessner's capability and capacity, and built upon the combined industry experience and expertise of many long-term Gessner staff.



**“THE PREFERRED  
SUPPLIER OF QUALITY,  
FIT FOR PURPOSE AND  
COMPETITIVELY PRICED  
EQUIPMENT...”**

# LANDMASTER PLANTER



Get the job done faster and deliver an improved strike with the Gessner Landmaster planter - one of the most versatile and customisable broadacre planters on the market.

Unrivalled strength, reliability, and quality of the frame design, coupled with premium parallelogram tyne unit attachments and after sales service is what makes the Gessner Landmaster your number one choice for broadacre planting equipment.

The Gessner Landmaster can be configured to suit a range of applications, catering for all your planting requirements.

Maximise your efficiency and optimise the amount of land you cover in every pass with Landmaster's standard 9m, 12m, 18m, 24m or customised widths of up to 36m. Tyne spacings of 333mm, 375mm and 500mm are standard, but custom spacings can be incorporated to meet your planting needs.

At Gessner, we work closely with our farmers to develop products that are going to outlast and outperform every time. At the end of the day, it's all about providing equipment to achieve higher productivity and efficiency.



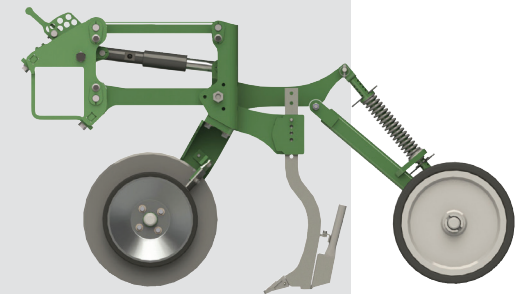


## PRODUCT FEATURES

- Parallelogram units feature robust 50mm x 25mm spring steel tynes with a working depth range of 25mm – 200mm
- Tynes are easily adjusted in 12mm increments
- Manutec press wheel assemblies are available in a range of profiles and diameters - fixed or swivel mounting options available
- True parallelogram action is provided with ground following capabilities via 14 inch rubber-banded depth wheels fitted to 20" coulters
- 15.5/80 x 24 Gripster wheel assemblies feature in various configurations depending on machine size
- All pivot points are fitted with hardened chrome pins and oil impregnated bushes
- Heavy duty stump jump cylinders with high quality hard-chrome shafts provide units with strength and durability
- Parallelogram down pressure can be easily adjusted by moving the ergonomic hand grip through incremental pin points (increments range from 20kg to 250kg)
- High quality accumulators of various sizes suit multiple unit combinations
- Industry standard hydraulic hoses and fittings ensure effective hydraulic functionality and product longevity
- Hydraulic single fold and double fold options provide maximum transportability.

## Optional Attachments

- Twin-disc opener assembly
- Press-wheel mud scraper
- D-Cup diffuser assembly including mounts and diffuser
- Air seeder tow hitch to suit most applications



# PATRIOT PARALLELOGRAM PLANTER



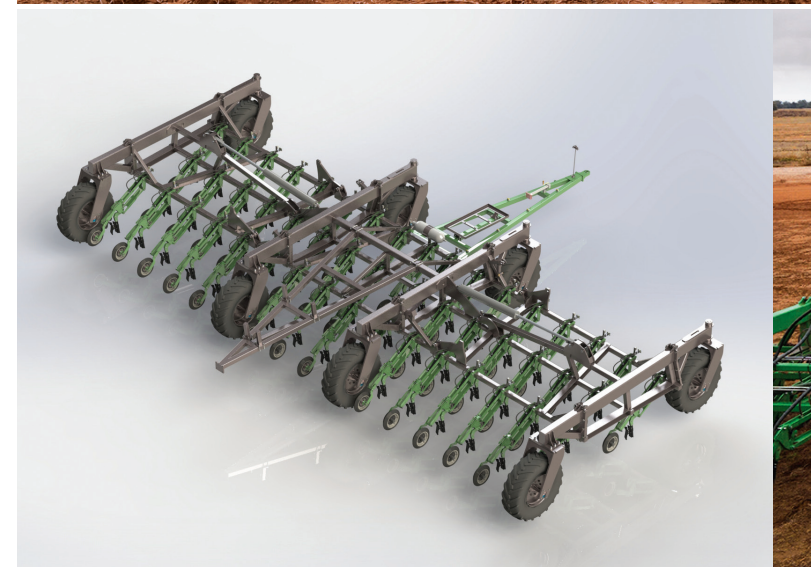
The Gessner Patriot parallelgram tyne planter is purpose-built to perform in Australia's tough growing conditions, providing an optimal, hard-wearing planting solution for Australian farmers.

This unique planter is designed with versatility, quality and strength at its core, accommodating most soil types across Australia's diverse grain-producing regions.

Ranging in working widths of 12m to 36m, or customised to suit your required width, the Patriot parallelgram tyne planter is designed to accommodate row-spacings from 250mm to 500mm.

Using heavy plate steel and RHS, the strength of the Gessner Patriot parallelgram planter is unrivalled, enabling planting in tough and marginal conditions, maximising yield potential and minimal downtime for decades. Good underframe and trash clearance completes the package.

Plus it's designed for ease of transport with the 12m Patriot parallelgram planter engineered to be delivered in one standard sized load. It can be assembled by just two people and a telehandler in as little as three hours.



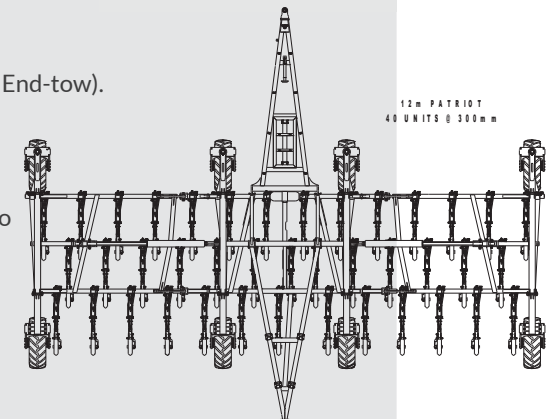
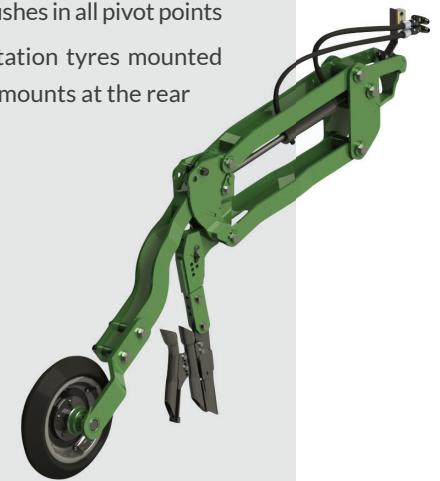


## PLANTER FEATURES

- Hydraulic break-out ranging from 300lb to 700lb
- An underframe clearance of 900mm
- Heavy-duty fabricated parallelogram with a 500mm range of travel; 200mm down, 300mm up (from working height)
- Semi-pneumatic v-shaped press wheels with packing pressure up to 200lb
- Versatile precision shank with single, dual, paired-row and liquid injection outlet options
- Standard seeding depth range of 150mm, adjustable in 6mm increments
- Heavy-duty dual acting cylinder featuring hard-chrome shafts
- Hardened chrome pins and oil infused bushes in all pivot points
- Planter frame supported by large floatation tyres mounted on castor frames at the front, and fixed mounts at the rear
- 300mm transport clearance
- Grade 8 high tensile fasteners
- Unit weight 80kg

## Floating Hitch Frame Configurations

- 12m 3 Section Single Fold.
- 18m 5 Section Single Fold.
- 18m 5 Section Double Fold.
- 24m 5 Section Single Fold.
- 24m 5 Section Double Fold.
- 36m 7 Section (with Optional End-tow).
- Each frame features three 100mm x 100mm x 9mm toolbars which are designed to accommodate row-spacing of 250mm, 300mm, 333mm, 375mm, 400mm or 500mm.



# SCARIMASTER



When it comes to broadacre farm cultivation equipment, the Gessner Scarimaster has all your bases covered. With multiple frame width and configuration options, the Scarimaster farm cultivator and planter can be adapted to suit even the toughest environments and applications.

The robust 5-bar frame design using heavy duty RHS, combined with premium Gessner attachments makes the Scarimaster the ultimate broadacre cultivation and planting machine.

With our onsite engineering team, we can customise the frame width and tyne spacings to meet your needs. Or you can choose one of our standard frame widths (12m, 18m and 24m) and standard tyne spacings which start from 200mm.

To provide you with ease of transportation between paddocks, the Scarimaster cultivator features hydraulic single fold and double fold options, depending on your machine width and customer preference.

Gessner cultivator hitches are designed to provide durability, reliability and ease of use, so various linkage options are offered including three point hitch for smaller machines, and rigid trailing hitch and floating trailing hitch for larger machines.

## CULTIVATOR FEATURES

- All pivot points feature hardened chrome pins and oil infused bushes
- Tyne assemblies feature adjustable under-frame clearance, ranging from 760mm to 900mm with direct drill tynes, and 690mm to 840mm for cultivator shanks
- Wheel spacings customisable to suit controlled traffic configurations
- Large 15.50/80 x 24 Gripster pattern wheel equipment on the centre section and wings provide the Scarimaster with superior floatation
- Floating hitch models include 360° swivelling castor wheels which feature wide parallelogram anchor points
- Wheels feature positive turnbuckle mechanical depth control with phasing cylinders
- Road clearance maximum 400mm, depending on ground engaging tool selection and underframe clearance configuration
- All rigid hitch models are level lift providing easy set-up capability.

## Tyne configurations available

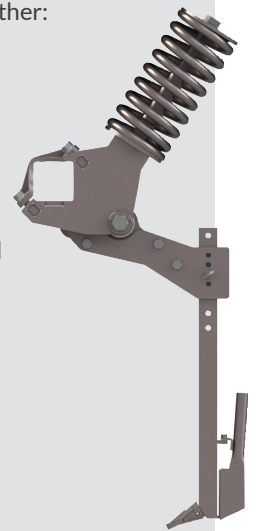
- 650lb or 500lb spring release with either:
  - straight spring steel tyne fitted with a 50° cultivator shank
  - straight spring steel tyne fitted with spear point and seeding tube

OR

- Hydraulic recoil jump cylinders fitted with either:
  - 50° cultivator shank
  - spear point and seeding tube

## Optional Attachments

- In-frame press wheel assemblies
- Spring release coulter assemblies





# PARALLELOGRAM TWIN DISC

The Gessner Parallelogram Twin Disc Planter provides a highly durable and versatile solution for broadacre planting, seeding and fertiliser applications.

By offering configurations suited to your individual requirements, the unique design of the twin disc units ensures that effective fertiliser and seed placement is maintained, regardless of planting conditions.

Like all of Gessner's agricultural equipment, the Parallelogram Twin Disc Planter was designed and manufactured in Australia, to outperform and outlast in even the toughest conditions.

Parallelogram twin disc units are available for individual purchase for fitting to your existing planter bar or may be purchased as a complete machine with frame widths ranging from 8m to 24m.

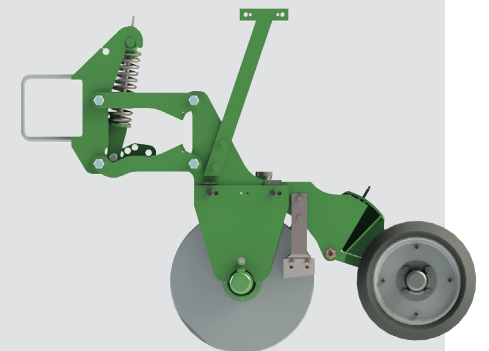
## DISC PLANTER FEATURES

### Frame

- Rigid and floating hitch frames available in 8m, 12m, 18m and 24m
- Three point linkage frame OR lift assist frame options
- Single and double hydraulic frame folding options
- 15.5/80 x 24 Gripster pattern wheels feature on centre section and wings

### Twin Disc Units

- Units can be purchased individually to suit your existing bar or may be fitted to a purpose built Gessner frame
- Unit mounting options are available in 178mm x 178mm OR 100mm x 100mm configurations
- 457mm double coulters combine to provide guaranteed placement of seed and fertiliser
- Unique combination sealing arrangement features in coulters and press wheels ensuring extra-long bearing life
- Presswheels feature heavy duty stub axles and provide easily adjustable depth control
- Presswheels are available in soft, medium or hard rubber depending on application specifications
- Spring pressures are easily adjusted through incremental pin adjustments



# CHISEL PLOUGH



Get your ground and soil preparation done faster with Gessner's innovatively engineered range of chisel ploughs boasting quality manufacturing. These time-proven machines will outperform and outlast in even the toughest environments, giving you lower maintenance and repair costs, and less downtime.

Gessner offers both HR1200 Hydraulic Release Tyne Chisel Plough and a Rigid Tyne Chisel Plough, ensuring that all of your broadacre ground preparation requirements are catered for.

The combination of our Australian designed and manufactured heavy-duty frame and field-proven units provides unmatched strength, durability and longevity in tough tillage conditions.



## HR1200 HYDRAULIC RELEASE TYNE CHISEL PLOUGH - FEATURES

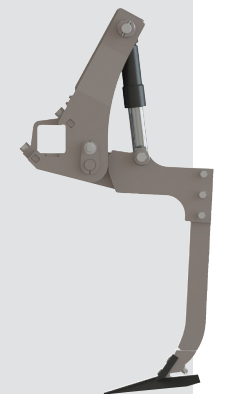
- HR1200 chisel plough frames range from 3m (10ft) to 16.4m (54ft) working widths
- The specially designed multi-section frame is available in a single-fold configuration, or as a rigid trailing frame depending on machine width and application requirements
- Highly durable hydraulic release chisel plough tynes featuring quality jump cylinders
- Hydraulic phasing depth wheels varying in size depending on frame configuration
- 15R x 22.5 super singles on 4.8m centre sections
- 49 x 17 x 30 Aero tyres on 6.1m centre sections
- All wings feature 10.00 x 20 truck tyres
- Safety chains feature on 12.8m (42ft) frame configurations and above.

## Rigid Tyne Chisel Plough - Features

- Rigid tyne frames range from 3m (10ft) to 12.8m (42ft) working widths
- The specially designed multi-section frame is available in a single-fold hydraulic configuration for machines 6.7m (22ft) and above. Alternatively rigid trailing frame configurations are available for machines 3m (10ft) to 8.5m (28ft) depending on application requirements.
- Various wheel configurations are available depending on frame width
- 7.50 x 16 compactor tyres on 3m (10ft) to 3.6m (12ft) machines
- 10.00 x 16 x 8 ply stabiliser tyres on 4.8m (16ft) machines
- 15R x 22.5 super single tyres on 6m (20ft) to 8.5m (28ft) machines
- All wings feature 10.00 x 20 truck tyres
- Safety chains feature on 10m (34ft) frame configurations and above.

## Optional Extras for Shank Configuration

- 250mm penetration sweeps
- 406mm penetration sweeps
- 75mm x 20mm reversible chisel points
- 3-1/2" x 5/8" Plough Bolt & Nut
- 2-1/2" x 5/8" Plough Bolt & Nut



# RHIINO DEEP RIPPER



Experience the ultimate in deep tillage solutions with Gessner's Rhino Ripper. Featuring an industry leading 250mm x 150mm x 10mm main beam and high tensile tines and tungsten wear-parts, the Rhino Ripper is the deepest commercially made ripper on the market with a maximum ripping depth of 900mm.

Gessner's deep rippers are renowned across the country for their strength and reliability, with our rippers known to last more than several decades with only the need to replace wearable parts.

It's time to experience the unrivalled strength, reliability, and quality of Gessner's agricultural equipment.

## DEEP RIPPER FEATURES

### Frame

- Super strong 250mm x 150mm x 10mm main beam
- 5 and 7 shank machines are available in three point linkage and trailing hitch options
- 9, 11 and 13 shank machines are trailing only
- 5 shank machines feature 7.50 x 16 single compactors
- 7 shank machines feature 7.50 x 16 dual compactors
- 9, 11 and 13 shank machines feature 9.00 x 20 dual compactors
- Hydraulic top-link levelling

### Rhino Shanks

- 32mm high-tensile shanks with 10 tonne breakout force
- Shanks feature replaceable high-wearing shin guards
- 500mm standard spacing
- 36" (914mm) underframe clearance

### Optional Attachments

- Hydraulic crumble rollers available to suit all models
- Extension kits are available to increase ripper width on certain models

| MODEL                        | 7 SHANK  | 9 SHANK     | 11 SHANK               | 11 SHANK - RC | 13 SHANK    |
|------------------------------|--|-------------|------------------------|---------------|-------------|
| Approx HP Requirement        | 300-350HP  | 350-450HP   | 400-500HP              | 400-500HP     | 450+HP      |
| Tyne Spacing                 | 500mm (20")  | 500mm (20") | 500mm (20")            | 545mm (21.5") | 500mm (20") |
| Effective Working Width      | 3.5m   | 4.5m        | 5.5m                   | 6m            | 6.5m        |
| Approx Weight - No Roller    | 3,110kg  | 3,780kg     | 4,580kg                | 4,690kg       | 5,390kg     |
| Approx Weight - C/W Roller   | 3,850kg  | 4,760kg     | 5,730kg                | 5,940kg       | 6,740kg     |
| Transport Width - No Roller  | 3,450kg  | 4,250kg     | 5,250kg                | 5,850kg       | 6,250kg     |
| Transport Width - C/W Roller | 4,040mm  | 5,100mm     | 6,100mm                | 6,700mm       | 7,100mm     |
| Wheel & Tyres                | 2 Pair 7.50x 16 Duals  |             | 2 Pair 9.00 x 20 Duals |               |             |
| Crumble Roller (Optional)    | Ø457 Heavy Wall Pipe fitted with 50 x 12 Flats to break down Clods                   |             |                        |               |             |
| Tynes                        | 32mm x400GR High Tensile Plate with replacable shin guard & Tungsten Hardfaced point |             |                        |               |             |
| Under Frame Clearance        | 915mm (36")  |             |                        |               |             |
| Hydraulic Breakout Force     | 10,000kg (22,000lb)  |             |                        |               |             |

# BIG BUCK DEEP RIPPER

The Gessner Big Buck is a proven performer and one of Australia's most trusted deep ripping implements. Manufactured from premium 350 grade steel, the Big Buck deep ripper is both structurally robust and versatile.

Featuring a high strength design, the Big Buck deep ripper features quality RHS steel with a fully welded clamp and bolted frame sections, ensuring enhanced performance and unrivalled longevity in the field.

Available in both three point linkage or trailing configurations, the Big Buck comes in various working widths, shank spacings and the option of hydraulic fold larger toolbars. This machine also has the option of hydraulic or shear-release shanks, and the ability to configure ground-driven fertiliser bins.





## DEEP RIPPER FEATURES

- 178mm x 178mm x 9.5mm RHS toolbars
- Bolted CAT 2-3 and CAT 3 three point linkage hitches or trailing rigid hitch
- Spreader bars - 1000mm on linkage frames / 1400mm on trailing frames
- 194 x 14 wheels on 7 and 9 shank machines / 7.50 x 16 wheels on 11, 13 and 15 shank machines.
- F77, A77 and HR tine assemblies are available in 7, 9, 11, 13 and 15 shank configurations as standard (custom machine sizes and tine configurations are available to suit customer requirements)
- High quality accumulator and industry standard hydraulic fittings feature on models fitted with HR tines.
- Optional Attachments
- Shank mounted swivel coulters
- Heavy-duty angle iron crumble roller assemblies to suit various machine sizes.



## What our customers say

*"We chose Gessner because we knew that we were investing in a solid implement. Take one look at the size and weight of that toolbar and you know it's going to last. One thing that we were surprised by was the price. I'm certain that we couldn't have found a higher quality piece of equipment at a comparable price."*

Brian Burns, Lakeside Farms, Queensland

# HYDRAULIC DEEP RIPPER



Maximise your yield potential with Australia's most efficient deep ripper, the Hydraulic Deep Ripper (HDR).

For farmers wanting the convenience of hydraulic controlled shanks, the new Gessner Hydraulic Deep Ripper (HDR) has the flexibility of ripping beyond the standard 300-500mm, to a depth of 700mm.

With clever engineering, quality RHS steel with fully welded clamps and bolted frame sections, Gessner's deep rippers are built to last for decades.

Our deep rippers use well designed parabolic tines to break up compacted soil layers with ease, allowing plant roots to grow faster and deeper by increasing access to moisture and nutrients, resulting in improved crop yield.

Deep rippers require inherent build quality and the HDR was designed and fabricated to outperform and outlast in even the toughest Australian conditions. The innovation in engineering and unrivalled quality, strength and durability makes Gessner the trusted name in agricultural equipment.

| MODEL                        | HDR-4509   | HDR-5511    | HDR-6011      | HDR-6513    |
|------------------------------|--|-------------|---------------|-------------|
| Number of Shanks             | 9  | 11          | 11            | 13          |
| Approx HP Requirement        | 350-450HP  | 450-550HP   | 450-550HP     | 500+HP      |
| Tyne Spacing                 | 500mm (20")  | 500mm (20") | 545mm (21.5") | 500mm (20") |
| Effective Working Width      | 4.5m   | 5.5m        | 6m            | 6.5m        |
| Approx Weight - No Roller    | 6,300kg  | 7,600kg     | 7,750kg       | 8,580kg     |
| Approx Weight - C/W Roller   | 7,500kg  | 8,900kg     | 9,200kg       | 10,150kg    |
| Transport Width - No Roller  | 4,430mm  | 5,430mm     | 5,970mm       | 6,430mm     |
| Transport Width - C/W Roller | 4,800mm  | 5,800mm     | 6,100mm       | 6,800mm     |
| Maximum Ripping Depth        | 700mm  |             |               |             |
| Wheel & Tyres                | 500/60 x 22.5 - 8 Stud Wheel   |             |               |             |
| Crumble Roller (Optional)    | Ø508mm Heavy Wall Pipe fitted with 50 x 12 Flats to break down Clods                   |             |               |             |
| Tynes                        | 32mm x 400GR High Tensile Plate with replaceable shin guard & Tungsten Hardfaced point |             |               |             |
| Under Frame Clearance        | 1075mm (42")   |             |               |             |
| Hydraulic Breakout Force     | 6,500LB  |             |               |             |





## HYDRAULIC DEEP RIPPER FEATURES

- Capable of ripping to a depth of 700mm
- The standard HDR range is available in 9, 11 and 13 shank configurations covering working widths of 4.5m to 6.5m
- Custom designed models available up to 12m wide with shank spacings of 450mm to 1000mm
- Engineered, designed, tested and fabricated to the highest quality with Australian-made mild steel and Japanese high tensile steel.

## Frames

- Frames are manufactured from 200mm x 200mm x 12mm RHS.
- Heavy dual toolbar spaced at 2100mm for extra stability.
- Fitted with 500/60 x 22.5 flotation wheels with 8 stud configuration.

## Shanks

- Shanks manufactured from the highest quality 32mm wide high tensile steel.
- Fitted with parabolic style 32mm wide high tensile steel shanks to ensure highest quality and enable the most efficient depth to tractor horsepower ratio.
- Shanks have 1075mm under frame clearance.
- All shanks are designed with replaceable points and shinguards to ensure quick and efficient change-out.
- 6500lb hydraulic release shank assemblies

## Optional Attachments

- Hydraulic controlled crumble roller in 600mm or 750mm diameter
- 100mm wide hard wearing delving plates
- Inclusion plates



## AGRICULTURE RANGE

We build our broadacre, row crop and sugarcane equipment to outlast and outperform in even the harshest conditions. The strength, reliability and quality of our range of farm equipment is what sets us apart from the rest.

Our quality range of rippers, planters, cultivators, fertiliser systems, and more will help you get the job done faster and better every time.



## EARTHMOVING RANGE

We know how important it is to you to keep your earthmoving equipment moving, so we build our attachments for maximum durability, so that you spend less time and money on maintenance and repairs, and considerably less downtime.

Our range of stick rakes, dozer canopies, blades, rippers, cutterbars, and more will provide you with high performance equipment to make your job easier, which is why we are trusted by CAT, Komatsu, and hundreds of earthmoving businesses, big and small, throughout Australia.



### OUTLAST & OUTPERFORM

At Gessner, we build our machinery to outlast and outperform in even the harshest conditions, so that you can keep going year after year.



### MAXIMUM DURABILITY

Our equipment is built for maximum durability, giving you lower maintenance and repair costs, and less downtime.



### RETURN ON INVESTMENT

Gessner's range of farm and earthmoving equipment are well-known for their high resale value. Our professional staff are here to help you maximise your productivity and profitability.



### INNOVATION

As market leaders in innovation, quality and durability, our full-time specialised engineering and design department can customise equipment to meet your needs.



20 Molloy Street, Toowoomba, QLD 4350 Australia | +61 7 4615 0100 | [manager@gessner.com.au](mailto:manager@gessner.com.au) | [www.gessner.com.au](http://www.gessner.com.au)

Find us on   