



Technical Guide: **Lewis Modular Tilt Blade**



Manufactured to suit:

CAT: 120M, 120H, 120G, 120M AWD, 12M, 12H, 12G, 140M, 140M AWD, 160M, 16M.

Komatsu: GD555-5, GD655-5.

John Deere: 670G/GP, 672G/GP 6WD, 770G/GP, 772G/GP 6WD.

Volvo: G930, G940, G990.

Gessner Modular Tilt Blade.

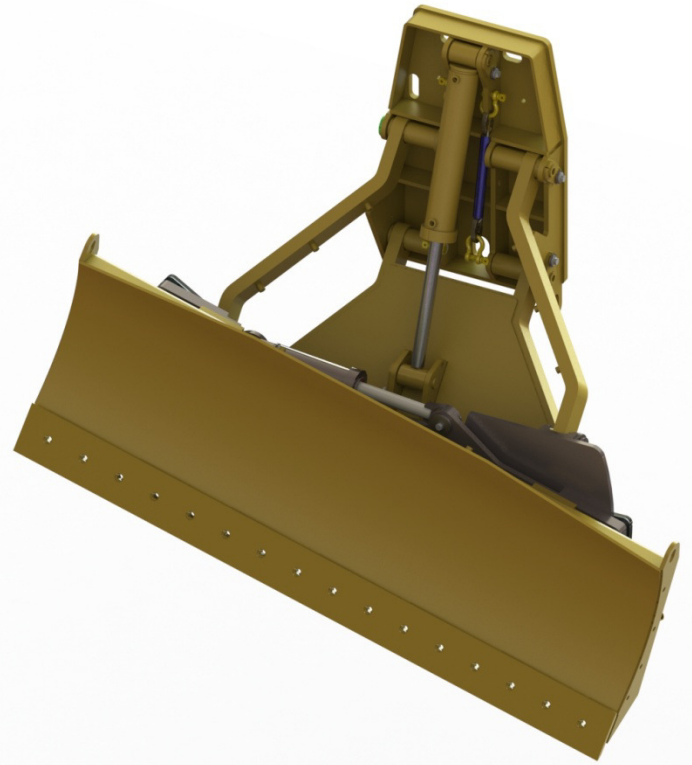
Width configurations:

Single Lift Cylinder: 2.5m, 2.6m, 2.7m, 2.75m, 2.8m & 3m

Twin Lift Cylinder: 3.2m, 3.4m

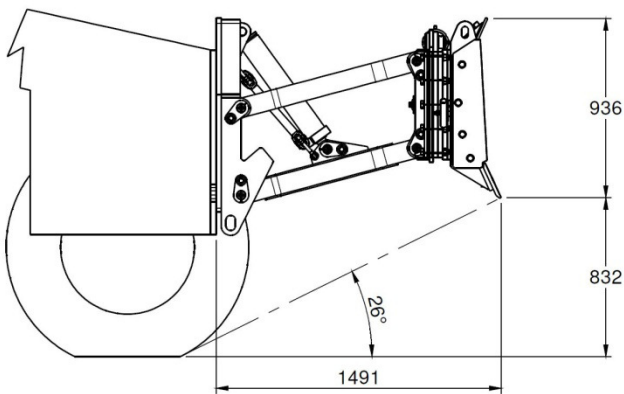
Blade Assembly Features:

- 4" bore lift cylinder.
- OEM replaceable cutting edge.
- Heavy duty fabricated mouldboard.
- Blade mount with drill pattern to match machine push-block mounting points.
- High tensile pins and case hardened bushes for superior wear in functional pivot points.
- Tilt-kit with single 4" bore tilt cylinder which enables blade tilt of 15° LH & 15° RH.
- Grade 8 high tensile fasteners.
- Supplied with chain braces for transportation.
- Paint: Ameron 977 ISO Free NEW CAT Yellow with hardener.
- Penetration Force: 4391kg
- Weight: 1812kg.

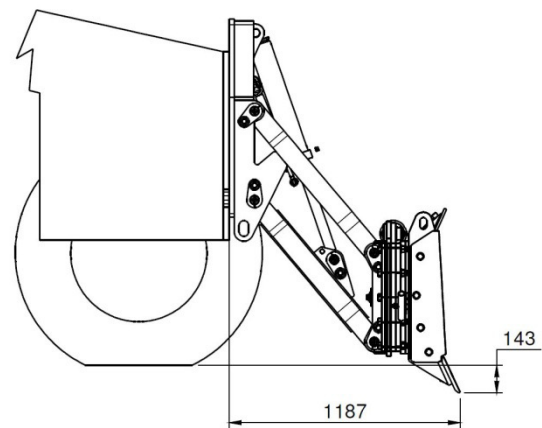


Functional Specifications

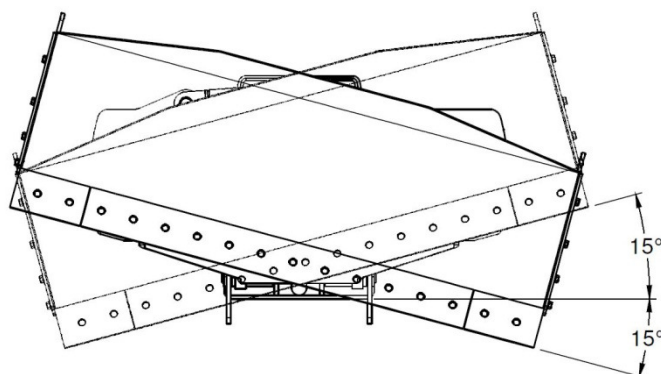
Specifications based on CAT 12M/140M Grader. Individual models may vary.



Blade Clearance



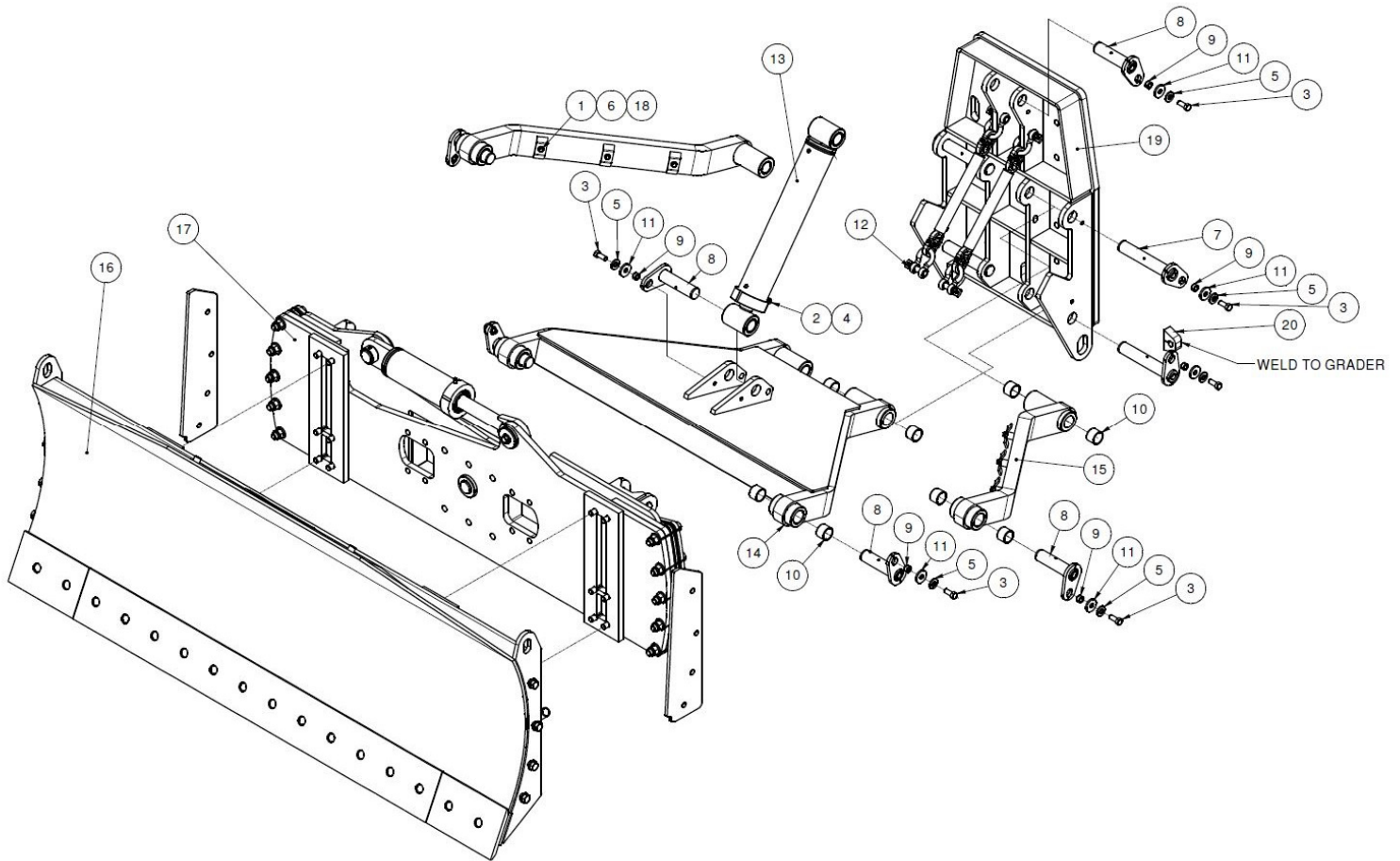
Blade Penetration



Blade Tilt

General Assembly

Model Shown: CAT 12M/140M Motor Grader with 2.5m Blade.



ITEM	PART No.	DESCRIPTION	REV	QTY
1	0002-065	BOLT 1" X 3/8" UNC		6
2	0002-127	BOLT 1-1/2" x 1/2" UNC		1
3	0002-187	BOLT 1-1/2" X 5/8" UNC		10
4	0012-009	1/2" UNC PLASTIC INSERT NUT	-	1
5	0015-073	WASHER	B	10
6	0016-143	3/8" HT WASHER	-	6
7	0021-062	PIN BOLTED RETAINER GREASED Ø44.45 x 246	E	4
8	0022-322	PIN BOLTED RETAINER GREASED Ø44.45 x 180	D	6
9	0030-021	BUSH Ø15.875	B	10
10	0030-201	BUSH Ø44.45 x 36	D.01	20
11	0047-009	COLLAR	B	10
12	0158-027	CHAIN BRACE	B	2
13	2415-045	CYLINDER 101.6 BORE x 469 STROKE	G.03	1
14	9049-235	BOTTOM ARM	E	1
15	9049-240	ARM	E.02	2
16	9090-004	BLADE ASSEMBLY	C	1
17	9090-049	TILT KIT	B	1
18	9090-063	HOSE CLAMP	A	6
19	9090-064	CAT GRADER FRONT MOUNT	A	1
20	S9056-008/32	WELD ON LUG	A	2





©COPYRIGHT

This design or drawing and any specifications or calculations that relate to this design or drawing are the property of and remain vested in Gessner Industries and must not be manufactured from, copied, or transmitted to a third party without prior written approval from Gessner Industries. It is not sold, and is subject to recall along with any copies immediately on demand. Reproduction of the drawing and copying rights are reserved solely to Gessner Industries under Copyright Law. All information disclosed by this drawing to the holder shall be held in commercial confidence.

CONTACT GESSNER INDUSTRIES

PHONE: 011 61 7 4615 0100

FACSIMILE: 011 61 7 4633 1973

WEB: www.gessner.com.au

EMAIL: manager@gessner.com.au